



Room air quality sensors

QPA10x4

- Maintenance-free CO₂ sensing element based on optical infrared absorption measurement (NDIR = non dispersive infrared)
- No recalibrations required
- Signal outputs DC 0...10 V or 4...20 mA adjustable

Use

In ventilation and air conditioning plants to enhance room comfort and optimize energy consumption by providing demand-controlled ventilation. The sensor acquires CO₂ concentrations and temperature.

Important!

The sensors may not be deployed as safety devices, e.g. as gas or smoke warning devices!

Type summary

<i>Type</i>	<i>Order number</i>	<i>Designation</i>
QPA1004	S55720-S453	Room sensor CO ₂
QPA1064	S55720-S454	Room sensor CO ₂ /T

Engineering notes

Cable routing and cable selection	The sensor must be powered by a transformer for safety extra low-voltage (SELV) with separate windings, suited for 100 % duty. On applications with EMC problems, use shielded cables. For secondary power lines and signal lines, use twisted-pair cables.
-----------------------------------	--

Mounting notes

Mounting location	Inner wall of the room to be ventilated, not in niches, not behind curtains, not above or near heat sources, and not exposed to direct light from spot lights. Do not expose the sensor to direct solar radiation. Seal the end of the conduit at the sensor to prevent false measurements due to drafts through the conduit.
Mounting instructions	Mounting instructions are enclosed in the package.

Disposal



This symbol or any other national label indicate that the product, its packaging, and, where applicable, any batteries may not be disposed of as domestic waste. Delete all personal data and dispose of the item(s) at separate collection and recycling facilities in accordance with local and national legislation.
For additional details, refer to [Siemens information on disposal](#).

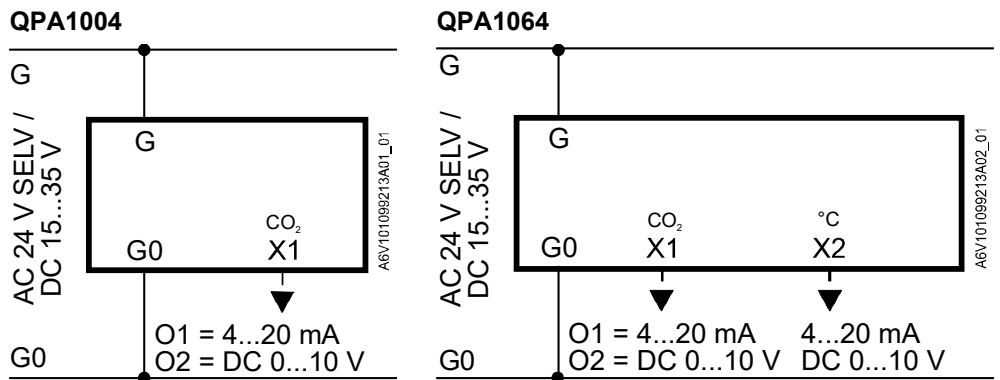
Technical data

Power supply	Operating voltage	AC 24 V \pm 20 % or DC 15...35 V (SELV) or AC/DC 24 V class 2 (US)
	Frequency	50/60 Hz at AC 24 V
	External supply line protection (EU)	Fuse slow max. 10 A or Circuit breaker max. 13 A Characteristic B, C, D according to EN 60898 or Power source with current limitation of max. 10 A
	Power consumption	At "U" output signal "I" output signal Max. <0.9 VA Max. <3.2 VA
Cable lengths for measuring signal	Measuring range	0...2000 ppm
	Measuring accuracy at 23 °C and 1013 hPa	$\leq \pm$ (60 ppm + 4 % of measured value)
Functional data "CO ₂ "	Long time drift	$\leq \pm 7$ % of measuring range / 5 years (typically)
	Output signal, linear (terminal X1)	4...20 mA $\hat{=}$ 0...2000 ppm, max. 500 Ohm DC 0...10 V $\hat{=}$ 0...2000 ppm, max. \pm 1 mA
	Recalibration free	5 years
Functional data "Temperature" with QPA1064	Measuring range	0...50 °C
	Measuring accuracy at DC 24 V and 23 °C	± 0.5 K
	Output signal, linear (terminal X2)	4...20 mA $\hat{=}$ 0...50 °C, max. 500 Ohm DC 0...10 V $\hat{=}$ 0...50 °C, max. \pm 1 mA
Degree of protection	Protection degree of housing	IP30 according to EN 60529
	Protection class	III according to EN 60730-1
Electrical connections	Screw terminals for	1 \times 2.5 mm ² or 2 \times 1.5 mm ²
Environmental conditions	Operation to	IEC 60721-3-3
	Climatic conditions	Class 3K3
	Temperature (housing incl. electronics)	0...50 °C
	Humidity	0...95 % r. F (non condensing)
Mechanical conditions	Class 3M2	

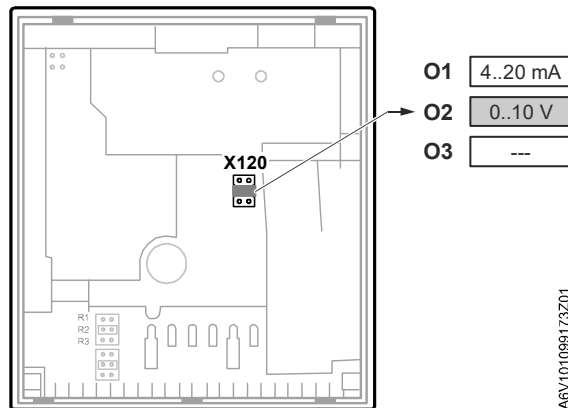
Materials and colors	Transport to	IEC 60721-3-2
	Climatic conditions	Class 2K3
	Temperature	-25...+70 °C
	Humidity	<95 % r. F.
Directives and Standards	Mechanical conditions	Class 2M2
	Cover	ASA + PC, NCS S 0502-G (white) equates to RAL9010
	Housing	ASA + PC, NCS 2801-Y43R (grey) equates to RAL7035
	Mounting plate	PC, NCS 2801-Y43R (grey) equates to RAL7035
	Sensor (complete)	Silicone free
	Packaging	Corrugated cardboard
Environmental compatibility	Product standard	EN 60730-1
	Electromagnetic compatibility (Applications)	Automatic electrical controls for household and similar use
	Electromagnetic compatibility (Applications)	For use in residential, commerce, light-industrial and industrial environments
	EU Conformity (CE)	CE1T1961xx ^{*)}
Weight	RCM Conformity	CE1T1961en_C1 ^{*)}
	UL	UL 873, http://ul.com/database
	The product environmental declaration CE1E1961 ^{*)} contains data on environmentally compatible product design and assessments (RoHS compliance, materials composition, packaging, environmental benefit, disposal).	
Incl. packaging	Approx. 0.10 kg	

^{*)} The documents can be downloaded from <http://siemens.com/bt/download>.

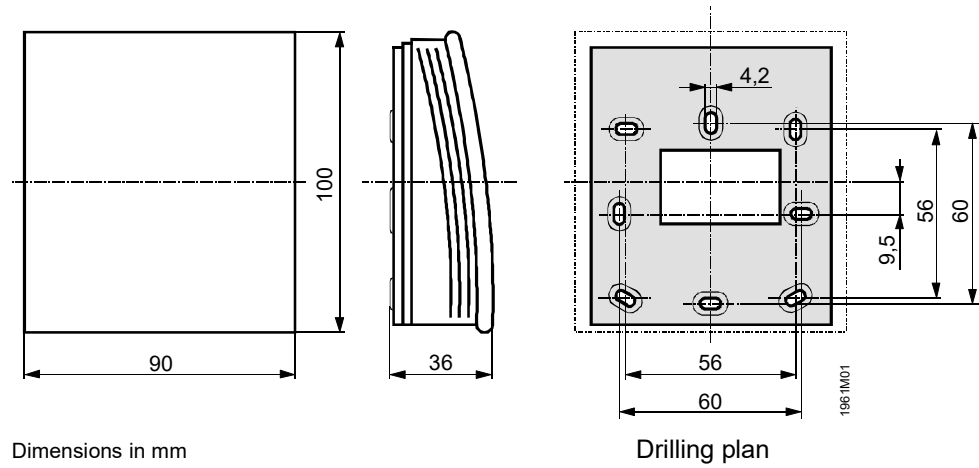
Connection terminals



G System potential AC 24 V (SELV) or DC 15...35 V
G0 System neutral and measuring neutral
X1, X2 Signal output DC 0...10 V or 4...20 mA



Dimensions



Issued by:
Siemens Switzerland Ltd.
Smart Infrastructure
Global Headquarters
Theilerstrasse 1a
CH-6300 Zug
+41 58 724 2424
www.siemens.com/buildingtechnologies

© Siemens 2017
Technical specifications and availability subject to change without notice